



# S-Band Antenna

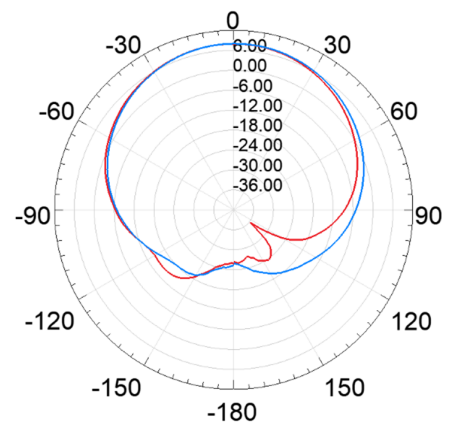
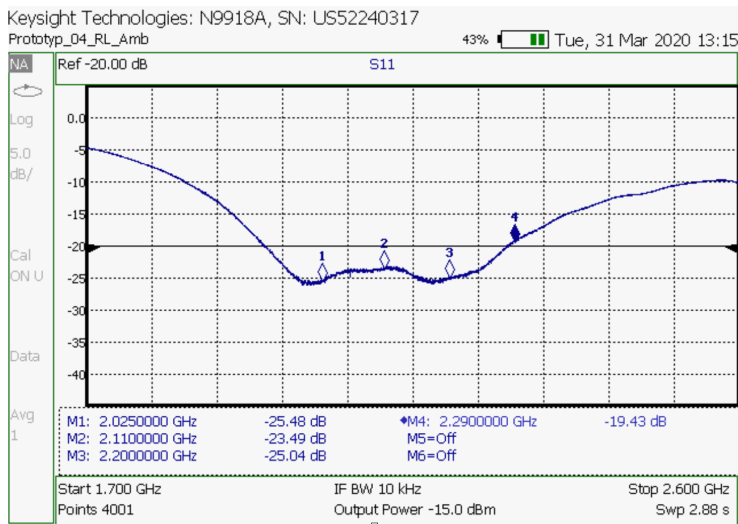
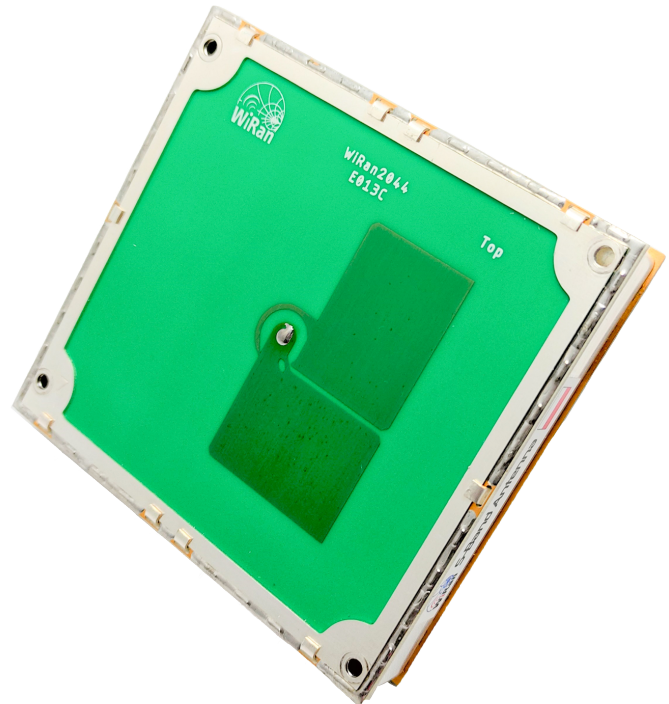
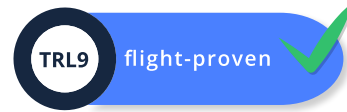
for CubeSat nanosatellites applications

## ABOUT

WiRan S-Band antenna provides full-duplex communication for data transmission and TM&TC. The antenna is designed to operate in 2025-2290 MHz band. Good polarization quality over broad beam width in both RX and TX is provided by one single antenna.

## FEATURES

- compliant with the CubeSat nanosatellite standard
- RHCP by default (LHCP available)
- covers entire S band - no need to wait for frequency allocation
- designed for omnidirectional coverage of nano/microsatellite (2 antennas + splitter)
- full duplex ready



radiation pattern, S parameters available on request

WiRan sp. z o.o.

Pomeranian Science and Technology Park, Al. Zwycięstwa 96/98, 81-451 Gdynia, Poland

+48 58 663 10 10, wiran.pl, info@wiran.pl



European Funds  
Smart Growth



Republic of Poland

European Union  
European Regional Development Fund





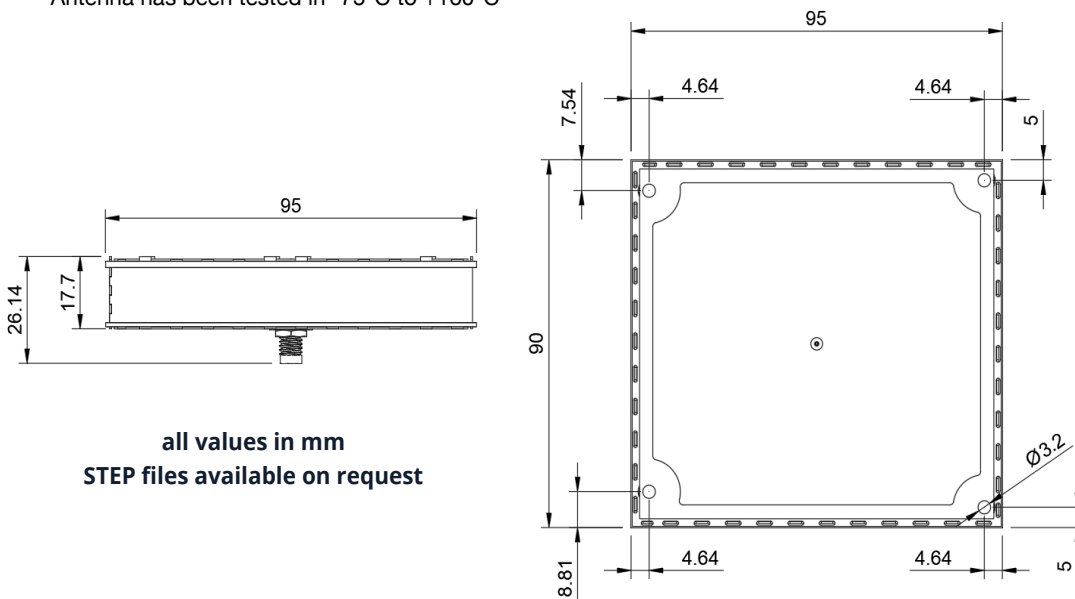
# S-Band Antenna

for CubeSat nanosatellites applications

RF Parameters	Guaranteed Value	Typical Value	Unit
Frequency Range	2025-2290		MHz
Return Loss	>15*	>17	dB
HPBW	>70	>81	°
Gain	7.5±1	7.5	dBi
AR (RHCP) @ 0°	<6	<4.5	dB
AR (RHCP) max @±40°	<8	<6.7	dB
RF power	10	10	W

Environmental Parameters	Value	Tolerances	Unit
Operating temperature range	-75/+90	-	°C
Weight	87	± 5	g
Maximum linear dimension (X or Y)	95	± 0.5	mm
Maximum height (Z)	26.2	± 0.5	mm
Height without connector (Z)	17.7	± 0.5	mm
RF interface	SMA female connector	-	-

\* Antenna has been tested in -75°C to +160°C



Ordering code	Description
ASA	S band antenna 2025-2290MHz, CubeSat compatible