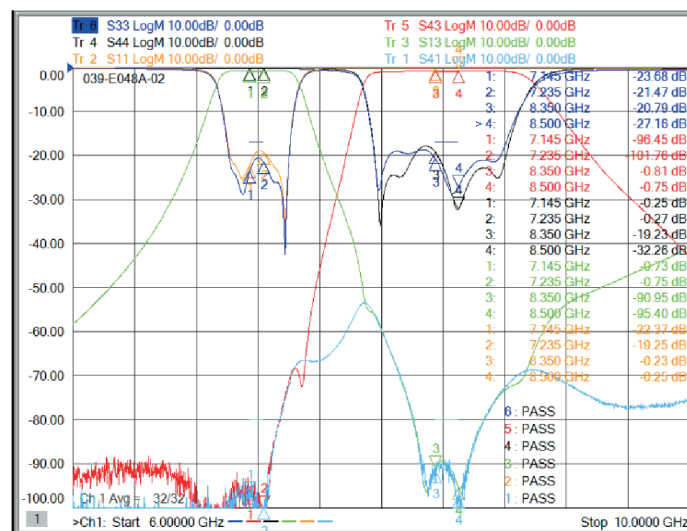
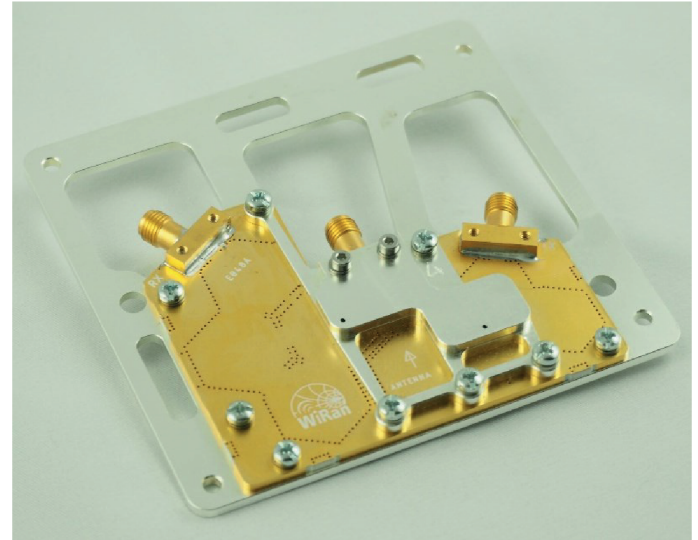


ABOUT

WiRan X-Band diplexers provide full-duplex communication for data transmission and swarm dedicated radiocommunication in X band. They are designed to operate in 7145-8500 MHz band, covering a large part of Earth Observation frequency band.

FEATURES

- compliant with the CubeSat nanosatellite standard
- power handling level of 15W
- low height & volume allow to save precious space in your satellite
- full compatibility with currently developed WiRan X-Band antenna
- isolation levels comparable with waveguide components (>80dB)
- low cost

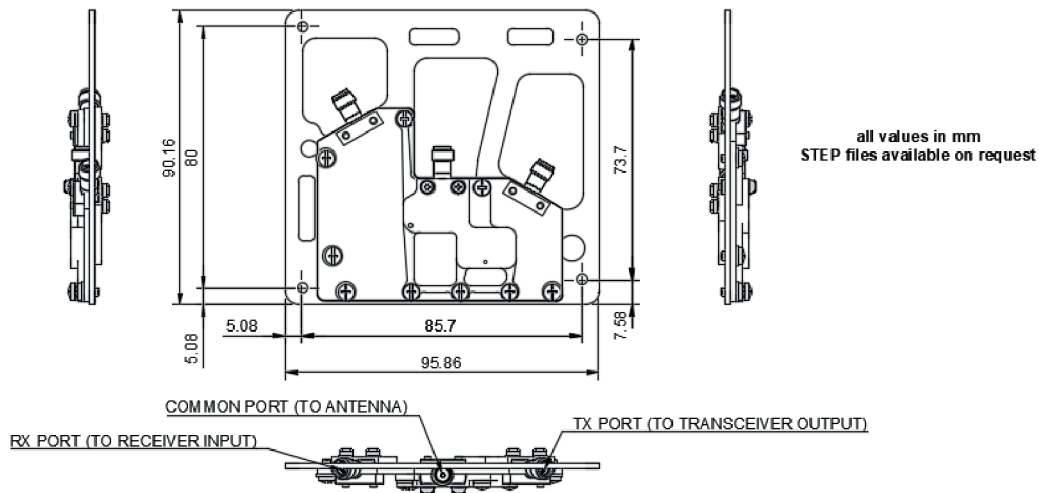


S parameters available on request

WiRan sp. z o.o.

Pomeranian Science and Technology Park, Al. Zwycięstwa 96/98, 81-451 Gdynia, Poland
+48 58 663 10 10, wiran.pl, info@wiran.pl, DXB-Brochure-1p0info@wiran.pl

Parameter	Value	Unit
RX frequency range (UL)	7145-7235	MHz
TX frequency range (DL)	8350-8500	MHz
Isolation in TX and RX	Min. >80; typical 95	dB
Insertion loss at TX and RX	Max. <1; typical 0.75(RX), 0.85(TX)	dB
Return loss (all ports)	Min. >17; typical 23	dB
Group delay variation over entire bandwidth	<0.2	ns [p-p]
Power handling	15	W
Operating temperature range	-75 ÷ +90	°C
Weight	70	g
Maximum X/Y linear dimension	96	mm
Maximum Z height	15	mm
RF interface	SMA female connectors	-



Ordering code	Description
DXB	SMA female X band diplexer 7145-8500 MHz, CubeSat compatible